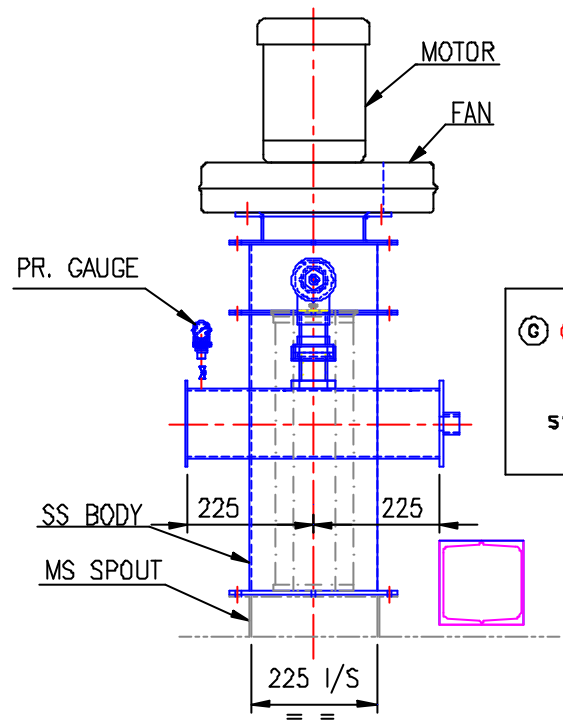
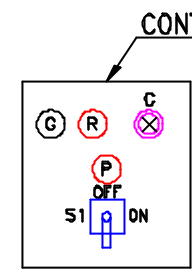


**ELEVATION**



**VIEW A-A**



G&R : LUMINOUS PUSH BUTTON FOR BLOWER ON & OFF  
 C : CONTROL SWITCH  
 S1 : MAIN SWITCH  
 P : POWER INDICATION LAMP

**NOTES :**

1. ALL DIMENSIONS ARE IN mm UNLESS OTHER WISE STATED.
2. CUSTOMER SHOULD PROVIDE DRY & COMPRESSED AIR @ 6-7 BAR AT THE REQUIRED LOCATIONS.

THIS DESIGN IS STRICTLY CONFIDENTIAL AND PROPERTY OF MASCHINEN FABRIK (INDIA) PVT. LTD. & MUST NOT BE REPRODUCED OR REFERENCE IN ANY FORM WITHOUT THE COMPANY'S WRITTEN PERMISSION.

		<b>Maschinen Fabrik (India) Pvt. Ltd.</b> 11/45, PANDITIA ROAD, CALCUTTA-700029.		
		NAME : KCP DATE : 19.04.01.	CLIENT :	
DRW :	APPR :	SCALE : N.T.S.	DRG. NO. : STD-BVF	SHT. : 1 OF 1
FILE NO. : VB-D:\PDF\BVF02.DWG		REV. : 0	1 OF 1	